

PRODUCT SPECIFICATION

93035

Edaro (*Wired Lamp Post*)

The EDARO is a recent and popular addition to the Timberlab range. This lamppost stands out for its clean design with right angles and lines, and is made of beautiful Accoya wood. Accoya wood, selected for its exceptional durability and stability, undergoes an acetylation process. This makes it resistant to moisture, mold and insects, making the EDARO ideal for projects where long-term performance and weather resistance are priorities. Its smaller brother, the CERANO, shares these properties and offers stylish, robust path lighting.



RELATED PRODUCTS

93036 CERANO - Wired path light



93009 ANGELO - Wired lamp post



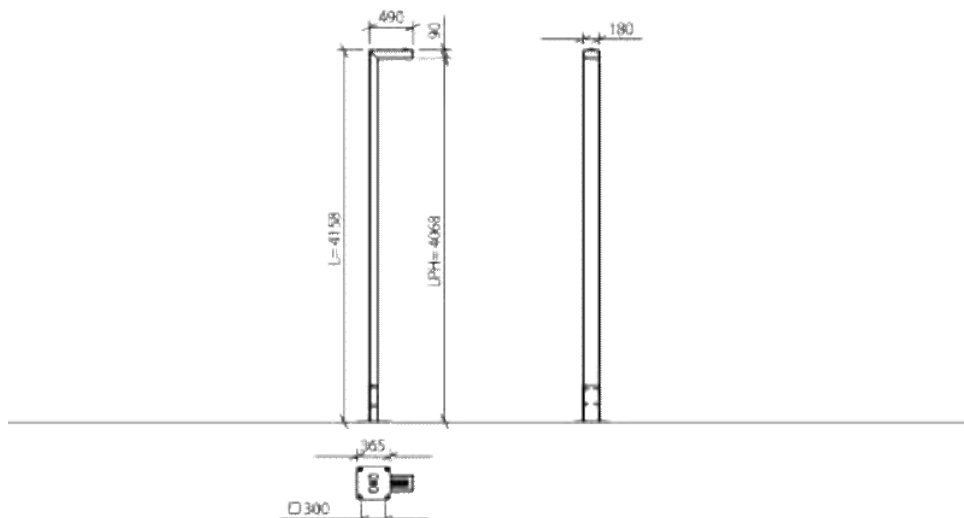
PRODUCT SPECIFICATION

SPECIFICATIONS

- **Thickness:** 150 mm
- **IP class:** IP54
- **Voltage:** 230 volts
- **Power per LED module:** 18 Watt
- **Lumen output per LED module:**
 - 2.200K = 1.376 lm
 - 3.000K = 2.413 lm
 - 4.000K = 2.527 lm
 - amber = 809 lm
- **Beam angle:** The LED module has a beam angle of 150x70 degrees
- **Lifespan:** Every type of wood has its own durability rating. More information about this can be found under "Types of wood" & "Sustainability". The LED module has an expected lifespan of 108,000 hours.
- **Lighting data:** Lighting data available on request.

OPTIONS

- **Wood type:** Accoya
- **Quality mark:** FSC or PEFC
- **Accessories:** The EDARO is available with or without post holder. See chapter 'post holders' for all technical data on the different post holders.
- **Light colour:** Available in 2.200, 3.000, 4.000 K and amber (593 nm).
- **Connection:** Possible with cable or without cable (1 mtr 3x 1.5 mm²). A 32mm hole in the fixture as standard for easy passage for your ground cable.
- **Options:** DALI (Digital Addressable Lighting Interface), motion detection sensor, mast shutter with triangle closure.



L = Length
LPH = Light height

	Weight	CO2 storage	Weight	CO2 storage	Weight	CO2 storage	Weight	CO2 storage	Weight	CO2 storage
Accoya	53 kg	85 kg	47 kg	62 kg	59 kg	62 kg	60 kg	85 kg	73 kg	85 kg

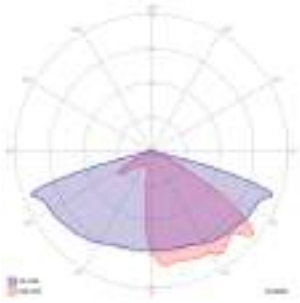








Only products indicated with the FSC® claim are FSC certified and come with our FSC-certificate number NC-COC-029615-KE. Only products indicated with the PEFC™ claim are 100% PEFC certified and come with our PEFC-certificate number NC-PEFC/COC-029615-FJ.



PRODUCT SPECIFICATION

LED MODULES

	standard				narrow (op aanvraag)	medium (on request)	wide (on request)
							
	TBLstreetlight module 2.000K - standard	TBLstreetlight module 3.000K - standard	TBLstreetlight module 4.000K - standard	TBLstreetlight module AMBER 593nm - standard	TBLstreetlight module 3.000K - narrow	TBLstreetlight module 3.000K - medium	TBLstreetlight module 3.000K - wide
Voltage	230 VAC	230 VAC	230 VAC	230 VAC	230 VAC	230 VAC	230 VAC
Power	18.9W*	18.3W*	18.4W*	14.8W*	18.3W*	18.3W*	18.3W*
Power factor	0.4*	0.4*	0.4*	0.38*	0.4*	0.4*	0.4*
Lumen output	1376 lm*	2413 lm*	2527 lm*	809 lm*	2413 lm*	2413 lm*	2413 lm*
Efficiency	73 lm/W*	132 lm/W*	137 lm/W*	55 lm/W*	132 lm/W*	132 lm/W*	132 lm/W*
Colour temp.	2200K 2087K*	3000K 2989K*	4000K 3877K*	AMBER x=0.6134 y=0.3838*	3000K 2989K*	3000K 2989K*	3000K 2989K*
CRI	81*	73*	73*	n.a.	73*	73*	73*
Dimmable	on request	on request	on request	on request	on request	on request	on request
Label	A	A++	A++	A	A++	A++	A++
IP grade	IP 54	IP 54	IP 54	IP 54	IP 54	IP 54	IP 54
Beam angle	151x68*	151x68*	150x68*	145x60*	151x68*	151x68*	151x68*
Number of LEDs	16	16	16	16	16	16	16
Temperature range in operation	-30...+50°C	-30...+50°C	-30...+50°C	-30...+50°C	-30...+50°C	-30...+50°C	-30...+50°C
Lifespan	108.000 h	108.000 h	108.000 h	108.000 h	108.000 h	108.000 h	108.000 h

* Measured values

PRODUCT SPECIFICATION

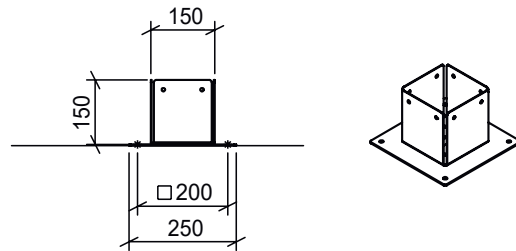
POST HOLDERS

To mount the products on, for example, a deck, concrete foundation, tile or roof terrace, an extensive range of post holders and foundation elements are available to choose from. Above ground mounting has a positive effect on the lifespan of timber products.



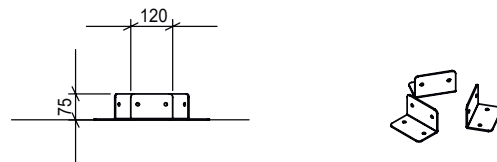
PH05

Post holder 150 with flange
Models: EYE 150, EYE SOLAR, PERI 150,
TORRE 150, TORRE SOLAR & FARO
Material: Stainless steel 316
Weight: 4 kg



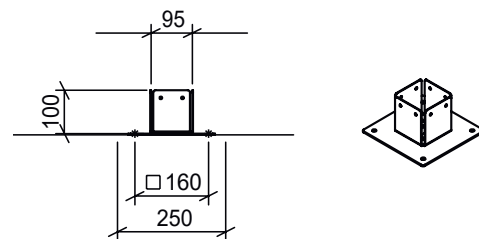
PH06

Post holder (per 3)
Models: BOSCO, BOSCO SOLAR, PIATTO, BASSO & SOTTO
Material: Stainless steel 316
Weight: 2 kg



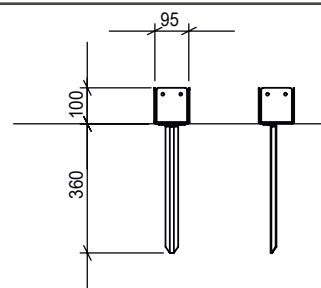
PH02

Post holder 100 with flange
Models: EYE 100, PERI 100 & TORRE 100
Material: Stainless steel 316
Weight: 3 kg

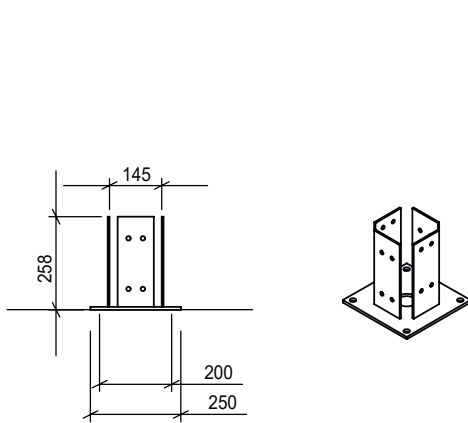


PH03

Post holder 100 with spike
Models: EYE 100, PERI 100 & TORRE 100
Material: Stainless steel 316
Weight: 2 kg



PRODUCT SPECIFICATION



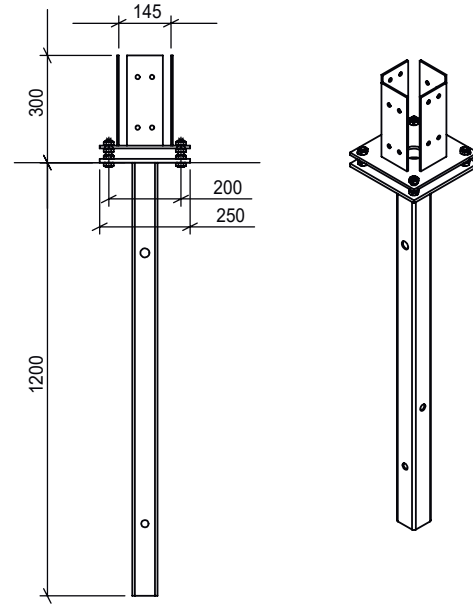
PH07

Post holder lamp post

Models: STRATO, STELLE, ANGELO & PILA

Material: Galvanised steel

Weight: 7 kg



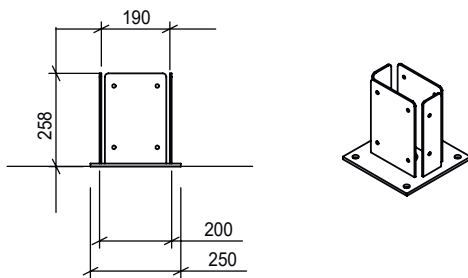
PH08

Post holder

Models: STRATO, STELLE, ANGELO & PILA

Material: Galvanised steel

Weight: 20 kg



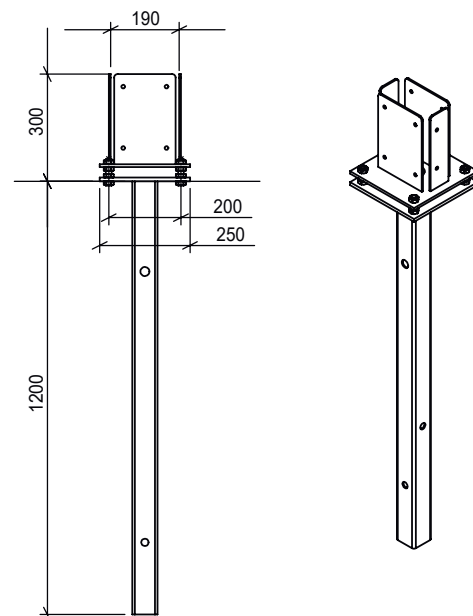
PH09

Post holder RIPARO

Models: RIPARO

Material: Stainless steel 316

Weight: 7 kg



PH10

Post holder RIPARO

Models: RIPARO

Material: Stainless steel 316

Weight: 20 kg