

PRODUCT SPECIFICATION

93004

Bosco (Solar Bollard)

Just like the other solar luminaires, the BOSCO solar is also a stand-alone luminaire. Thanks to the built-in battery pack, the BOSCO solar can be used anywhere and no cables are required. The fixture is equipped with a PV panel in combination with a state-of-the-art built-in control electronics and energy storage. The Solar energy is stored as efficiently as possible and released to the LED module in a smart way.



PROJECT EXAMPLES

POLEHANGER FARM - Farm and luxury glamping



RELATED PRODUCTS

93002 EYE - Solar bollard



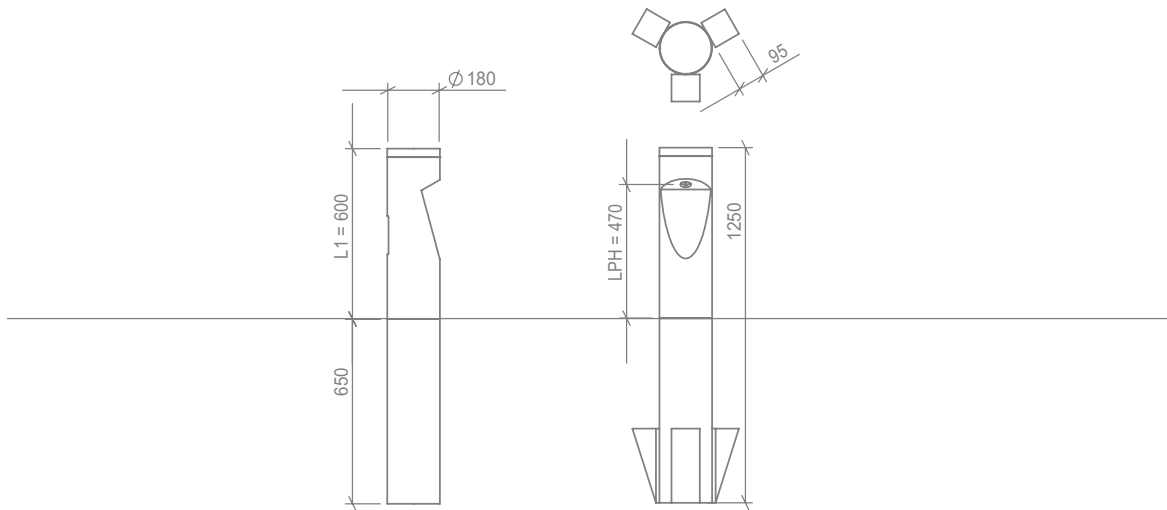
PRODUCT SPECIFICATION

SPECIFICATIONS

- **IP class:** IP54
- **Power per LED module:** 1-Watt max.
- **Lumen output per LED module:** Lumen output varies depending on time of year and weather type.
- **Beam angle:** The LED module has a beam angle of 155x65 degrees.
- **Lifespan:** Every type of wood has its own durability rating. More information about this can be found under "Types of wood" & "Sustainability". The LED module has an expected lifespan of > 100,000 hours.
- **Lighting data:** Lighting data available on request.

OPTIONS

- **Wood type:** Chestnut
- **Quality mark:** PEFC
- **Accessories:** An anti-theft solution is available for the BOSCO solar, that makes the pole more difficult to remove.
- **Light colour:** Available in 2.200, 2.700, 4.000 K and amber (593 nm).
- **Sensor:** The luminaire can be fitted with a built-in PIR presence sensor. The LED will illuminate at 10% after switching on. When motion is detected, the LED will switch temporarily (5 min) to the maximum light output.
- **Variations:** At Timberlab, every luminaire is carefully produced for you. In addition to the standard options, we like to create variations for your specific application.



L = Length

	Weight	CO2 storage	Weight	CO2 storage
Chestnut	20 kg	32 kg	20 kg	32 kg

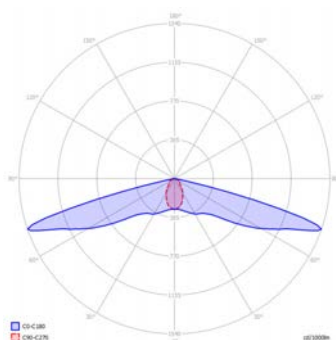


Only products indicated with the FSC® claim are FSC certified and come with our FSC-certificate number NC-COC-029615-KE. Only products indicated with the PEFC™ claim are 100% PEFC certified and come with our PEFC-certificate number NC-PEFC/COC-029615-FJ.



PRODUCT SPECIFICATION

LEDMODULES



	TBL path light module 2.200K	TBL path light module 2.700K	TBL path light module 4.000K	TBL path light module AMBER 593 nm
Voltage (optional)	230 VAC 12-24VAC/ DC	230 VAC 12-24VAC/DC	230 VAC 12-24VAC/ DC	230 VAC 12-24VAC/ DC
Power	1W*	1W	1W	1W
Power factor	0.36*	0.36*	0.36*	0.34*
Lumen output	45 lm	50 lm	63 lm	23 lm
Efficiency	45 lm/W*	50 lm/W*	63 lm/W*	23 lm/W*
Colour temp.	2200K 2335K*	Warm White 2700K 2654K*	Cool white 4000K 3801K*	AMBER x=0.5977 y=0.3996.*
CRI	84*	84*	72*	n.v.t.
Dimmable	on request	On request	On request	on request
Label	A+	A+	A+	B
IP grade	IP 54	IP 54	IP 54	IP 54
Beam angle	156x64*	156x64*	154x65*	151x58*
Number of LEDs	1	1	1	1
Temperature range in operation	-20...+50°C	-20...+50°C	-20...+50°C	-20...+50°C
Lifespan	100.000 h	100.000 h	100.000 h	100.000 h

* Measured values