

PRODUCT SPECIFICATION

PHONE CRADLE

(Fixed point photography)

72018

This durable unit is made from stainless steel and provides the perfect platform for a smartphone to take photographs from a consistent orientation.

They have been used throughout the UK on projects such as Sussex Wildlife Trust photo posts and Suffolk AONB landscape lens.

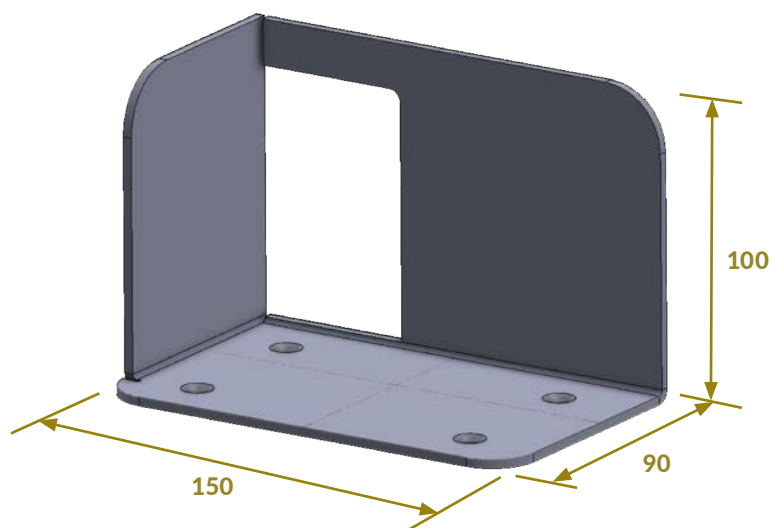
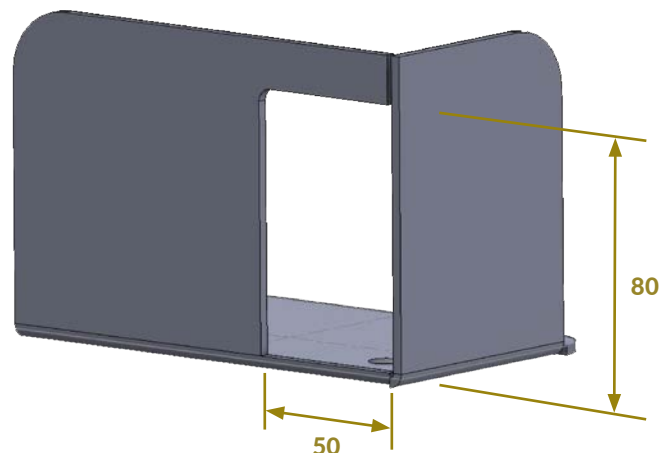
By taking photographs regularly throughout the seasons and uploading them to the portal, changes in the landscape can be monitored and recorded over time.

PRODUCT FEATURES

- Manufactured in stainless steel
- Baseplate measures 150x90mm
- 4no. $\varnothing 5.5$ mm fixing holes in baseplate
- Camera aperture of 80mm high x 50mm
- 1 year manufacturer's warranty
- 4 week delivery (from approval/payment)

ADDITIONAL OPTIONS

- May be supplied with a post for mounting
- Multi-buy discounts available



PROJECT EXAMPLES

SUSSEX WILDLIFE TRUST - Seaford Head



RELATED PRODUCTS

71007 OXFORD - Waymarker Post

