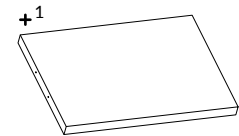
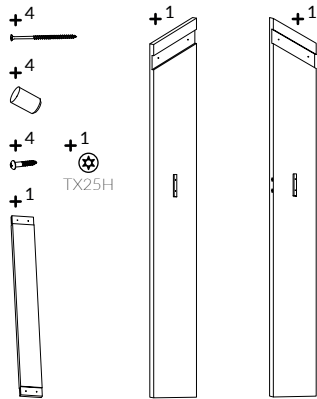


Lectern Assembly Instructions

(Applicable to 71014_Lymington)

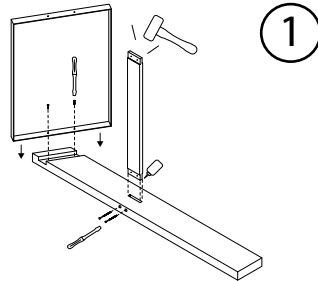
Provided by Landmark:



What you will need:

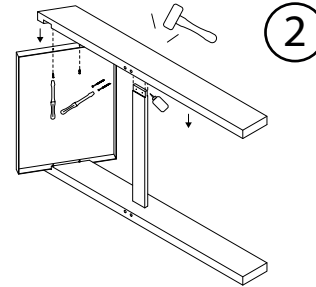


- +Battery Powered Driver
- +PZ2 Driver Bit
- +Exterior Wood Adhesive
- +Soft Mallet
- +Sandpaper
- +Cloth



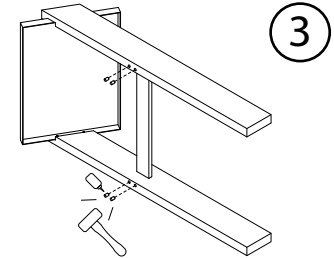
Fix Tray and Crossmember

Align tray holes and angled post slot holes. Fix with small screws. Apply glue to one crossmember tenon then insert at vertical slot until the shoulder stops on the post. Fix with long screws.



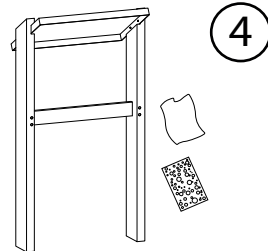
Fix Post 2

Align and fix the second post as step 1. Starting with the short post fixings and finish with the long crossmember fixings, remembering to glue to the tenon.



Insert Dowel Plugs

Apply a thin layer of glue to the dowels and plug the holes surrounding the screws. Tap with a mallet until flush.



Insert Dowels & Clean Up Joints

Wipe away any excess glue, and sand any remaining stains if necessary.

Note that a higher grit number on the sandpaper will be less abrasive.

